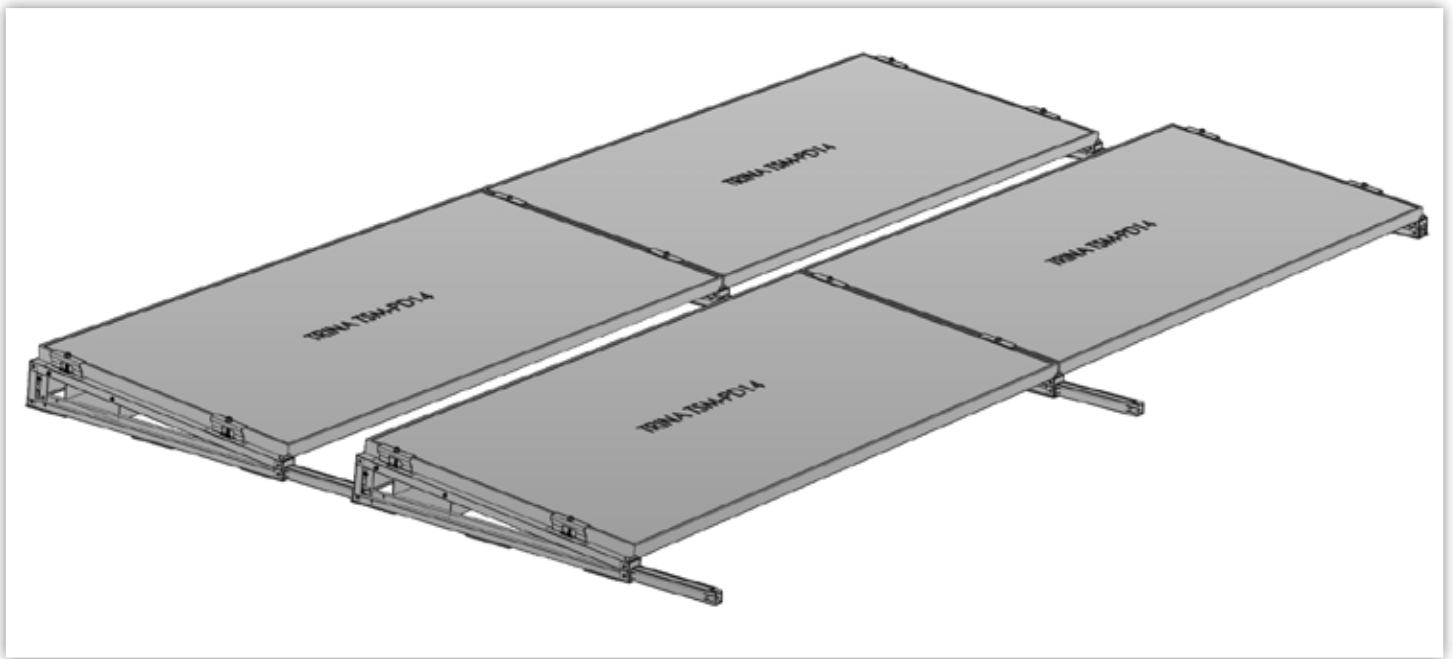


# INSTALLATION GUIDE

## LOW-PROFILE BALLASTED ROOF RACKING SYSTEM



75 Pierces Road • Newburgh, New York 12550  
845-565-6363 • [www.mountsforsolar.com](http://www.mountsforsolar.com)

# SYSTEM COMPONENTS



Panel Support



Mid Clamp



End Clamp



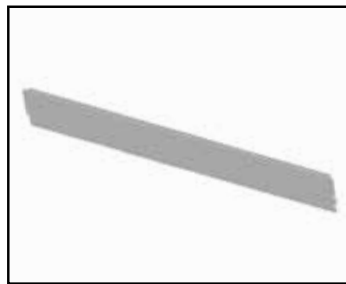
5/16 x 3" Hex Bolt



Row-to-Row Spacer



Ballast Tray



Wind Deflector

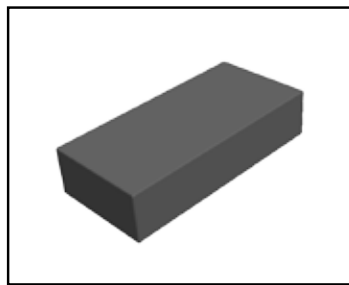


10-32 x 1/2" Hex Screws  
(Pre-Inserted)

## INSTALLER PROVIDED PARTS



UL Listed Bonding Connector



Concrete Ballast Block

4x8x16 / 32 LBS

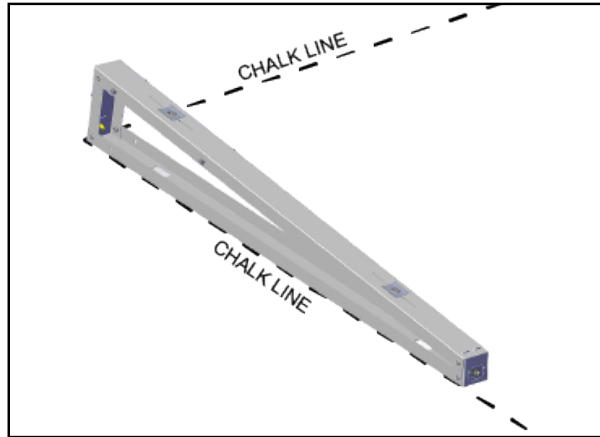
2x8x16 / 14 LBS

75 Pierces Road • Newburgh, New York 12550  
845-565-6363 • [www.mountsforsolar.com](http://www.mountsforsolar.com)

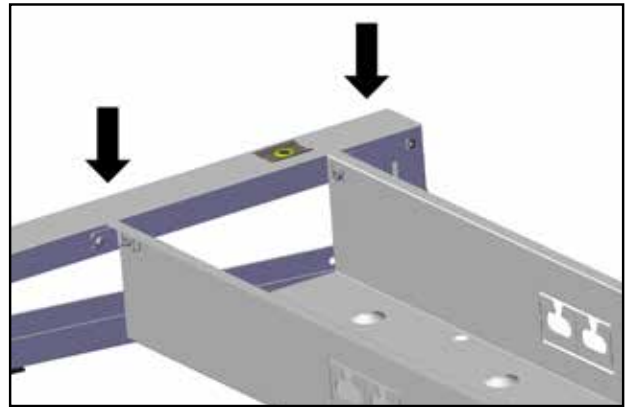
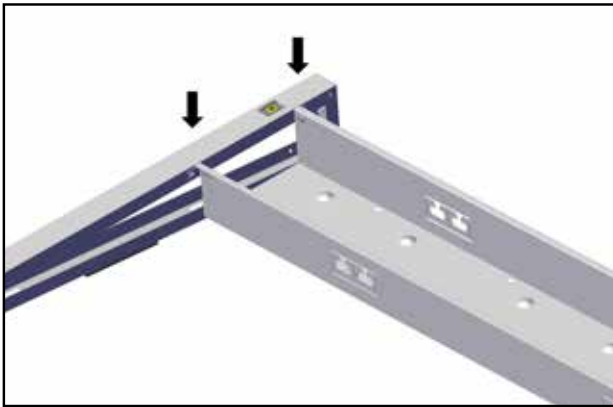
# INSTALLATION

**1** Snap chalk lines for the edges of installation in accordance with roof layout drawing.

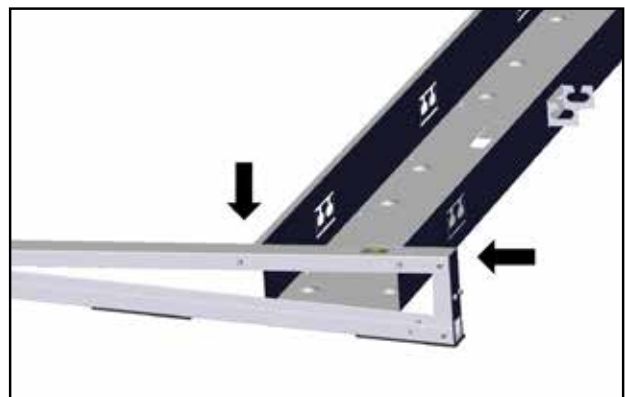
**2** Place 1st Panel Support along your chalk lines in corner of the array.



**3** Attach Ballast Tray to Panel Support via pre-inserted 10-32 screws (2x) and torque to 30 inch/lbs.

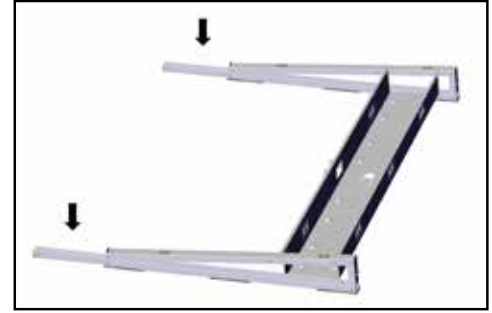
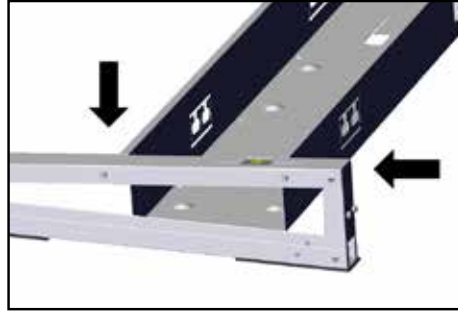
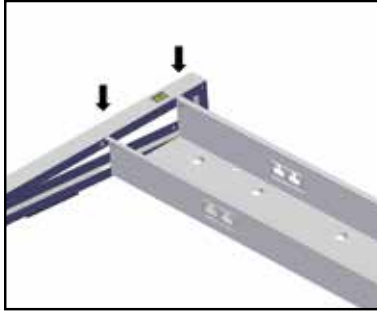


**4** Place 2nd Panel Support at other end of Ballast Tray via 10/32 screws (2x) and torque to 30 inch/lbs



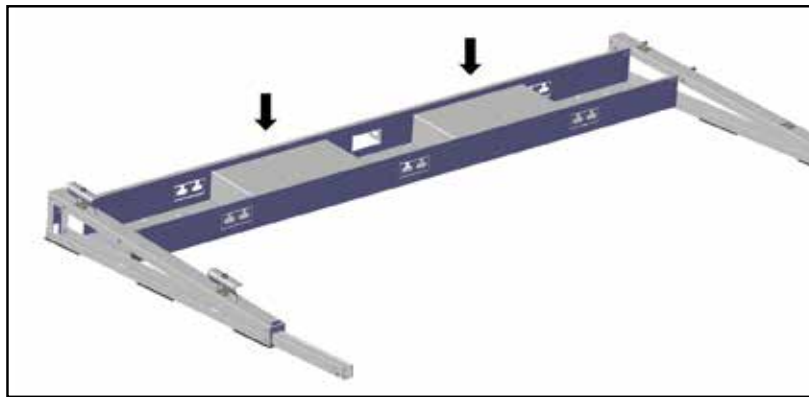
# 5

Place Row-to-Row Spacers on every Panel Support via preinstered 10/32 screws (2x) and torque to 30 inch/lbs.



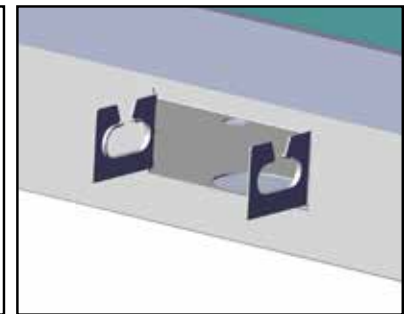
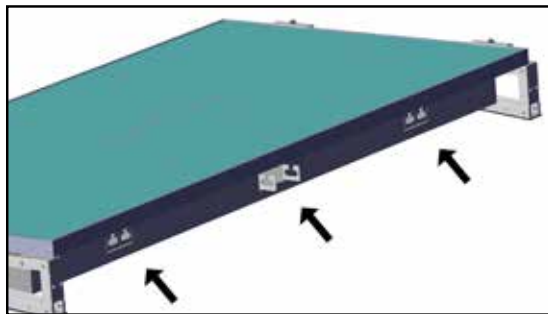
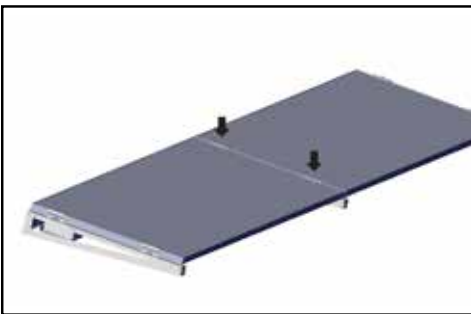
# 6

Place Concrete Ballast Block into Ballast Tray as per provided wind design calculation sheet.



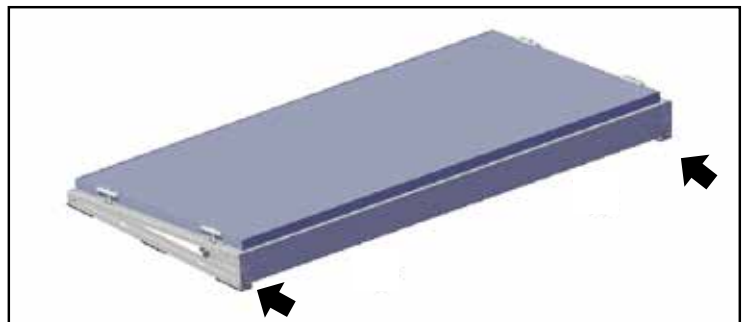
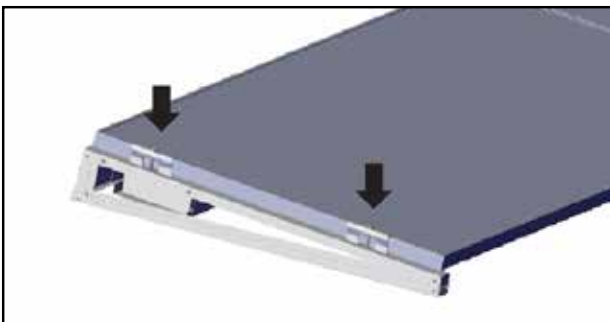
# 7

Mount panels to Panel Supports and fasten in place with Mid Clamp and Hex Bolt. Secure all wires using the THRU-ITT Wire Management Windows located along each Ballast Tray.



# 8

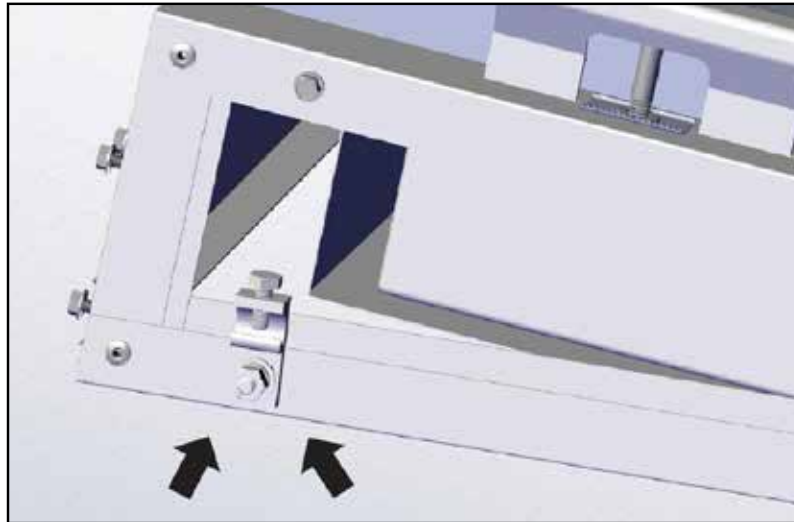
Torque all panel bolts to 156 in/lbs. Secure end-of-row panels to Panel Support using 5/16 End Clamp and Hex Bolt. Install Wind Deflectors via 10/32 screws provided and torque to 30 inch/lbs .



# 9

Where required, install a WEEB or approved ground lug. Run a copper equipment grounding conductor in accord with NEC regulation.

**Note: Equipment grounding conductor size and quantity must be based on local and National Electrical Codes (NEC). Article 690, 250.**



## SAFETY INFORMATION

### NOTICE

- Solar Mounting Solutions ballasted flat roof PV racking system is designed to be used with PV modules that have been certified and listed in UL 1703.
- Ballast blocks designation as per engineered drawings. Typical ballast size 4x8x16=32lbs 2x8x16=14lbs.
- Solar Mounting Solutions does not recommend the use of impact drivers, as it may over torque fasteners.

### FIRE SAFETY

- The assembly is to be mounted over a fire resistant roof covering rated for the application.
- Consult your local authority for guidelines and requirements for building or structural fire safety.
- Roof constructions and installations may affect fire safety of a building: improper installation may create hazards in the event of a fire.

### GROUNDING

- For grounding and bonding requirements of completed system please refer to regional and national safety and electricity standards.